

Date	Description
01-09-2023	A FOR APPROVAL
25-10-2023	B FOR APPROVAL
18-12-2023	C FOR APPROVAL
31-Jan-2024	D FOR APPROVAL

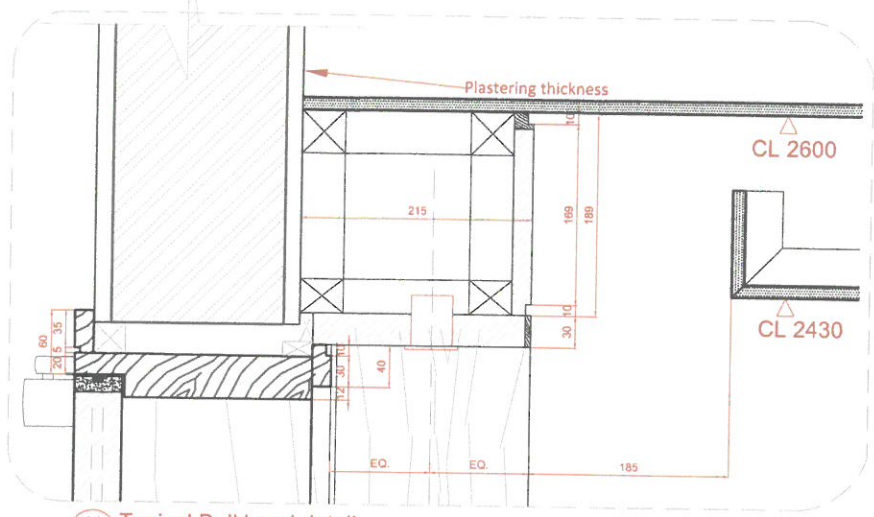
For Approval

Project No. : NG23 - Hyatt Regency Hotel
 Scale : A3 = 1 : 25
 Drawn by : Dami
 Checked : Kinan
 Cad File : CAD File

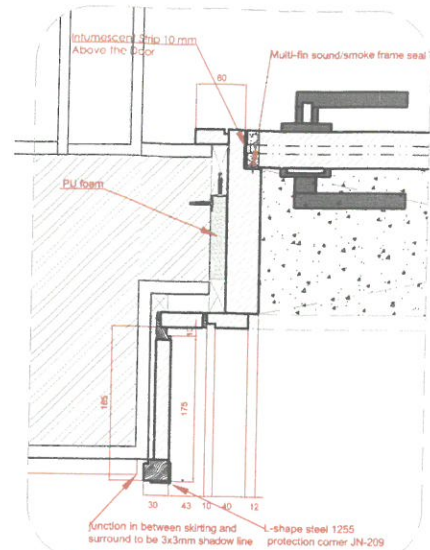
Sheet title
Corridor Cladding Type A Mir. Shop Drawing

Typical Floor 1-5

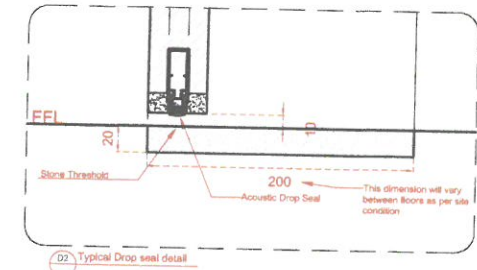
Dwg No. **D&C-4** No. **D**



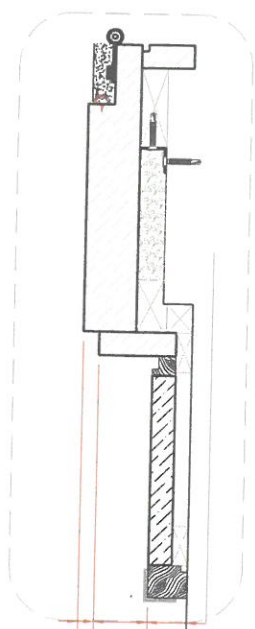
D1 Typical Bulkhead detail



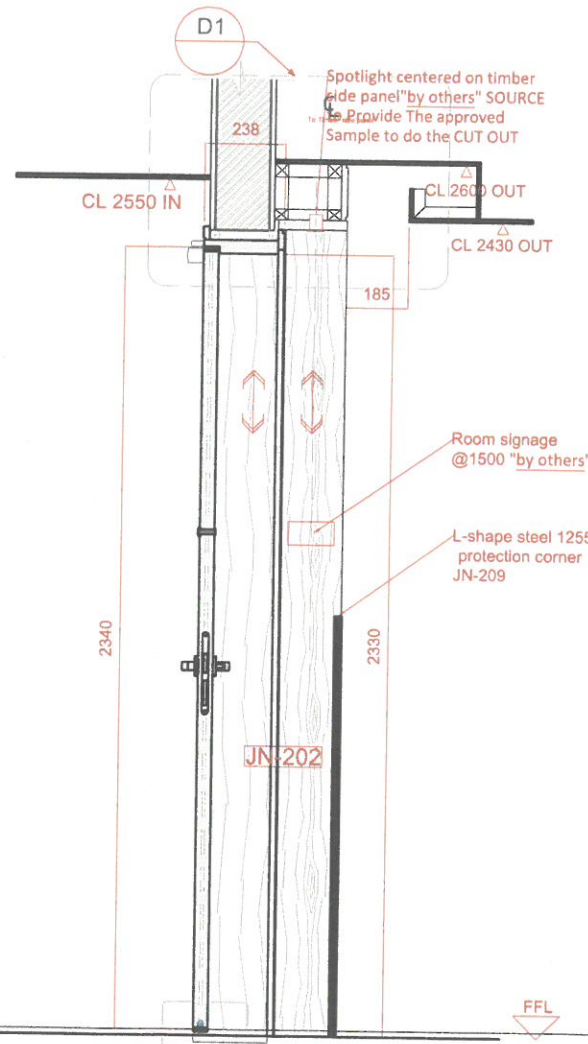
D2 Typical Frame detail



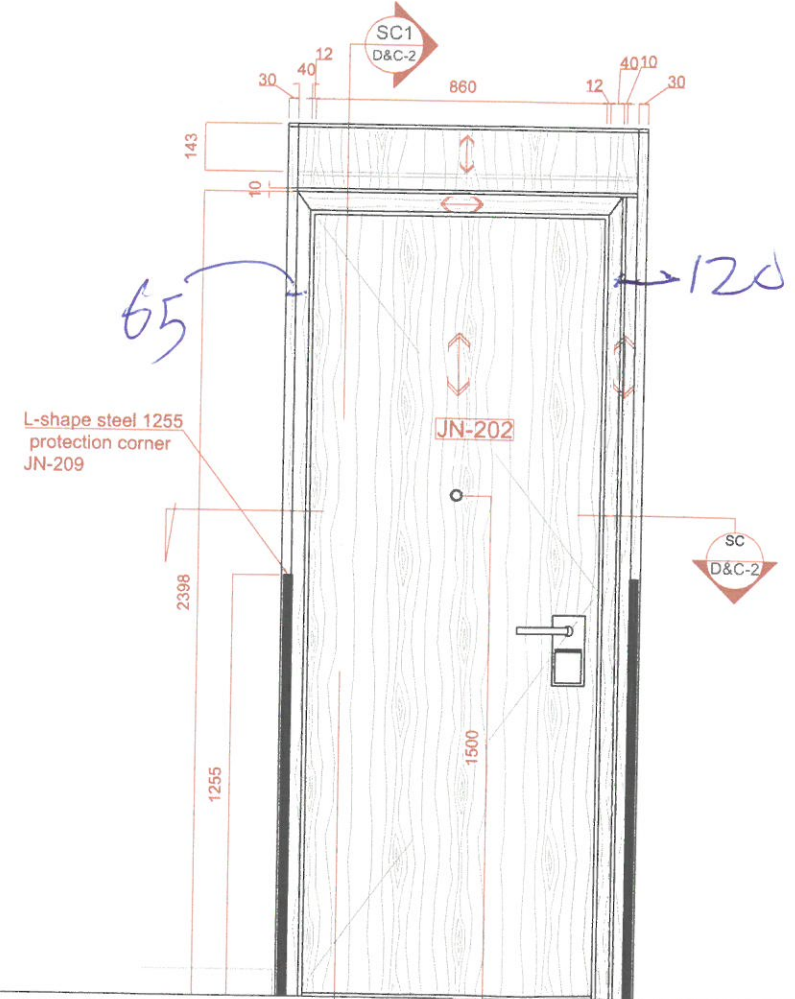
D3 Typical Drop seal detail



Type A and A mir. architrave



D1 Section



A outside view

CORRIDOR/DOOR WALL PANELING TYPE A Mir.

1-A mir-1